

Instruction Manual

SL585ALP & SL585BLP LED Beacon Light

WIRING

RED: To +VDC

BLACK: To Chassis Ground (-)

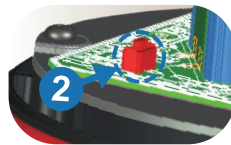
FLASH PATTERN SELECTION

1. Open

Twist the dome lens counter clockwise **1**, then lift the dome lens to open.

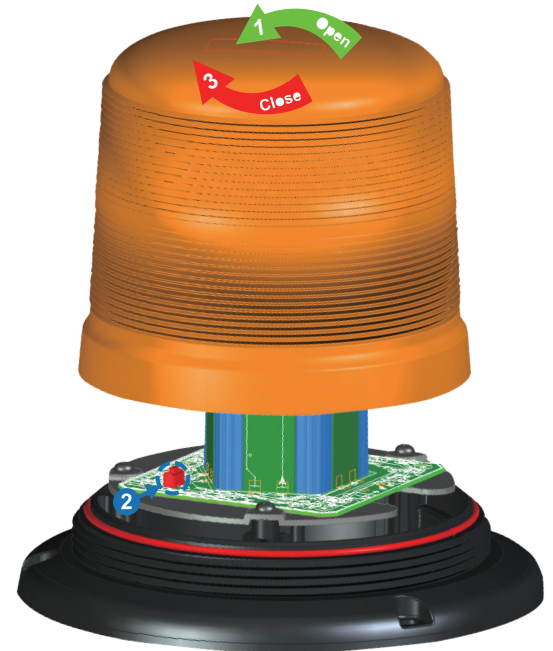
2. Change

While activating Warning Mode, momentarily push the RED BUTTON **2** to change to the next flash pattern. (see Flash Patterns Chart)



3. Close

Twist and tighten the dome lens clockwise **3** to close.

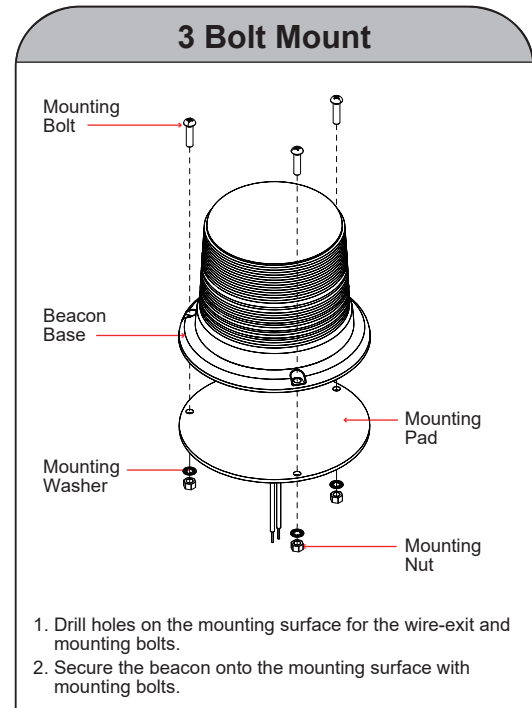


FP#	FLASH PATTERNS	FP#	FLASH PATTERNS
1	Double [2Hz R65]	7	Quint [SAE]
2	Single [2Hz]	8	Mega
3	Quad [2Hz]	9	Ultra [SAE]
4	Single [SAE]	10	Single-Quad
5	Double [SAE]	11	Single H/L
6	Quad [SAE]		

Note: i. This unit may not be factory-set at FP#1.
 ii. Actual approval based on the model ordered.

WARRANTY

Buyers Products Company warranties all LED Strobe and LED Work Light products to the original owner against defects in workmanship and material for a period of five (5) years from the date of purchase unless otherwise specified. Buyers Products must review each warranty claim and reserves the right to offer a refund for the original sale price of the product or replace the defective light. The five (5) year warranty is non transferable, applies to the original owner, and is subject to the following terms and conditions. The warranty will be void in cases of misuse, severe abuse, and failure to properly install the LED Light. Breakage of the lens or housing, corrosion at the plug, wire wicking, voltage spikes, and product failure caused by road chemicals and acid type washes are not warrantable claims. This warranty gives you specific legal rights and you may also have other legal rights that vary from state to state.



NOTE: All diagrams may not show to scale.