

100 SERIES PUMPS - 112V/M70



SPECIFICATIONS

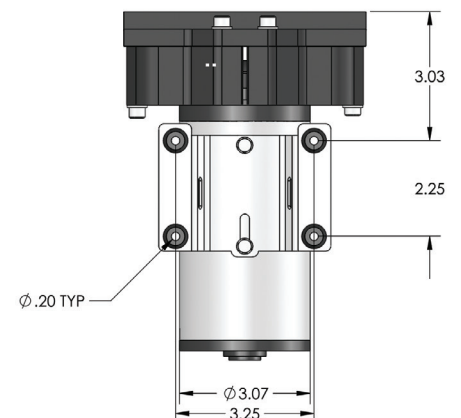
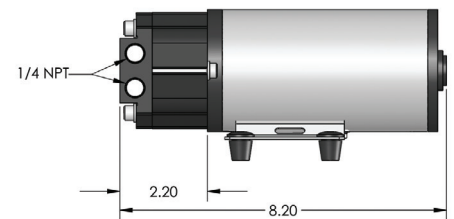
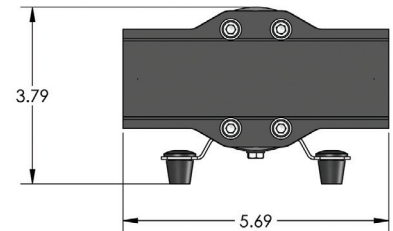
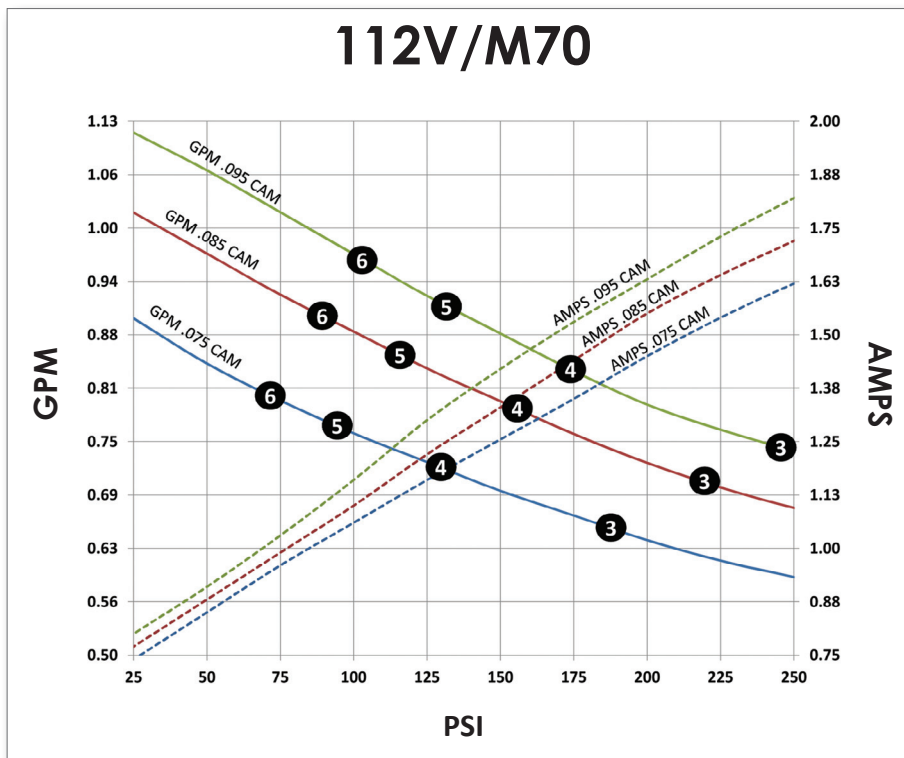
- Max Pressure (psi)** 300
- Open Flow (gpm)** 1.18
- Seals** V-Ring
- O-Rings** Buna
- Inlet Ports (2)** - 1/4" NPT (F)
- Discharge Ports (2)** - 1/4" NPT (F)
- Max Fluid Temp (°F)** 140
- Voltage** 120VAC

MATERIALS

- Body** Hardcoat Aluminum
- Plunger** Stainless Steel
- Valves** Stainless Steel
- Fasteners** Stainless Steel
- Rectifier** Inline

EXAMPLE

CAM	AMPS	PSI	GPM
.075	1.06	100	.76



Data recorded pumping water at room temperature and 115V AC power. Actual performance will vary with voltage, application, and mfg tolerances. Copyright Pumptec, Inc. 2014

- Spraying Systems Co. nozzle sizes
- * Standard cams shown, more cams available upon request