

# 100 SERIES PUMPS - 113C/M72



## SPECIFICATIONS

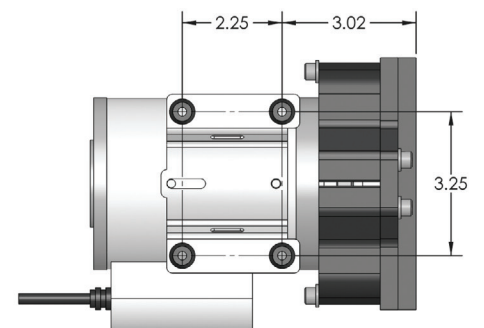
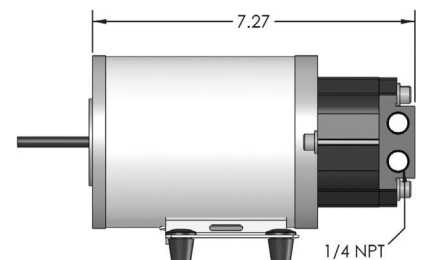
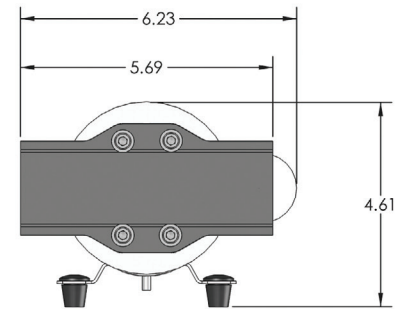
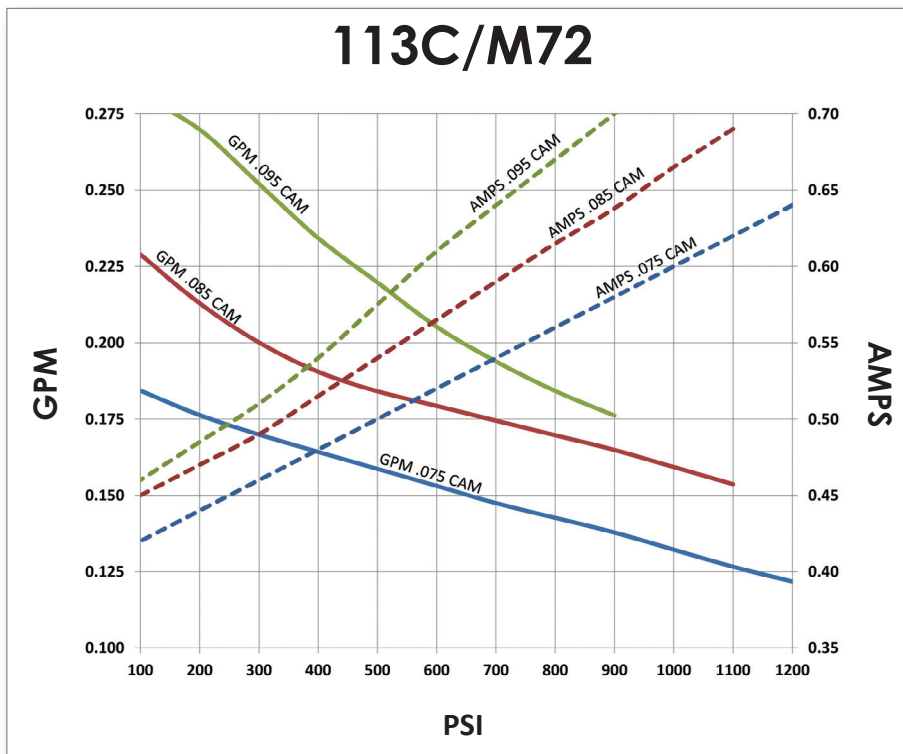
- Max Pressure (psi)** 1200
- Open Flow (gpm)** 0.28
- Seals** U-Cup
- O-Rings** Buna
- Inlet Ports (2)** - 1/4" NPT (F)
- Discharge Ports (2)** - 1/4" NPT (F)
- Max Fluid Temp (°F)** 140
- Voltage** 230VAC 50Hz

## MATERIALS

- Body** Hardcoat Aluminum
- Plunger** Ceramic
- Valves** Stainless Steel
- Fasteners** Stainless Steel

## EXAMPLE

| CAM  | AMPS | PSI  | GPM |
|------|------|------|-----|
| .085 | .67  | 1000 | .16 |



Data recorded pumping water at room temperature and 230VAC 50Hz power. Actual performance will vary with voltage, application, and mfg tolerances. Copyright Pumptec, Inc. 2014

\* Standard cams shown, more cams available upon request