

# 100 SERIES PUMPS - 113C/M8215



## SPECIFICATIONS

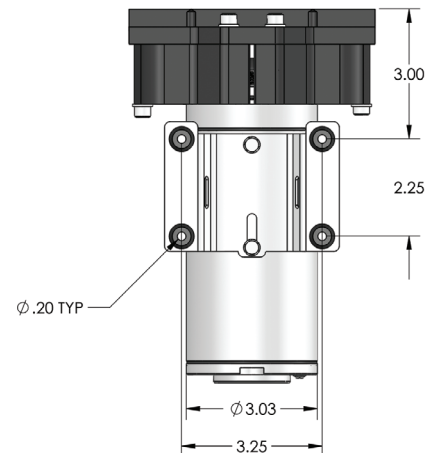
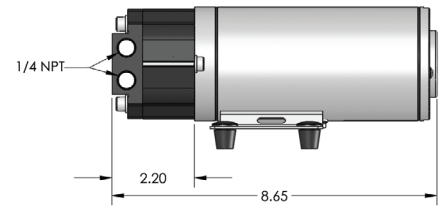
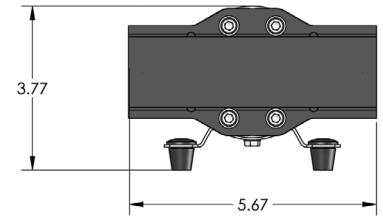
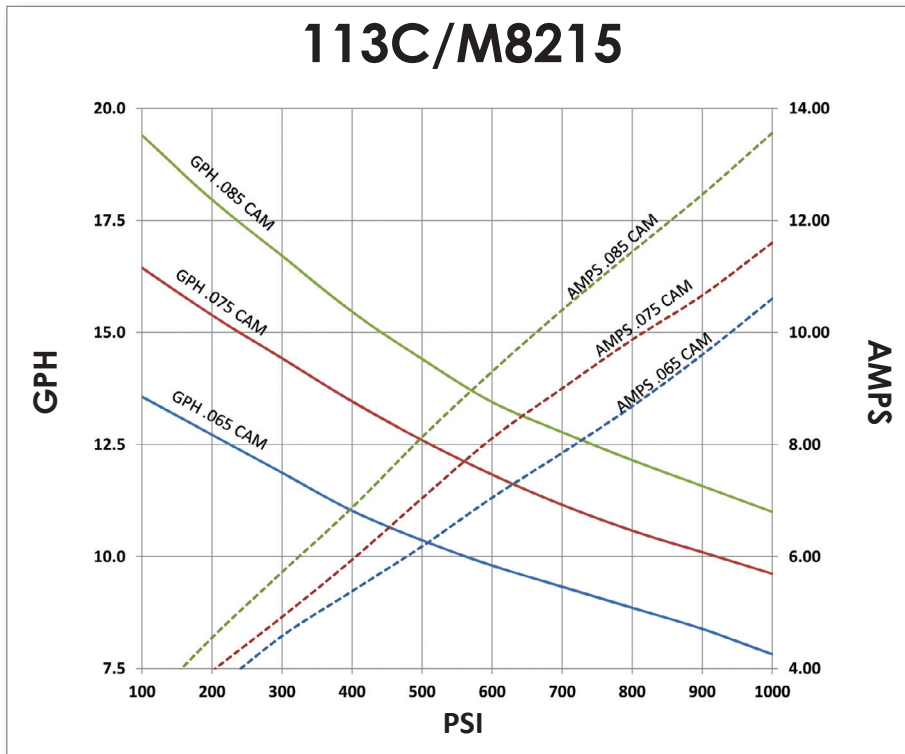
- Max Pressure (psi)** 1200
- Open Flow (gpm)** 0.42
- Seals** U-Cup
- O-Rings** Buna
- Inlet Ports (2)** - 1/4" NPT (F)
- Discharge Ports (2)** - 1/4" NPT (F)
- Max Fluid Temp (°F)** 140
- Voltage** Z

## MATERIALS

- Body** Hardcoat Aluminum
- Plunger** Ceramic
- Valves** Stainless Steel
- Fasteners** Stainless Steel

## EXAMPLE

CAM	AMPS	PSI	GPH
.075	9.0	700	11.2



Data recorded pumping water at room temperature and 12VDC power. Actual performance will vary with voltage, application, and mfg tolerances. Copyright PumpTec, Inc. 2014

\* Standard cams shown, more cams available upon request