

100 SERIES PUMPS - 113C/M8234



SPECIFICATIONS

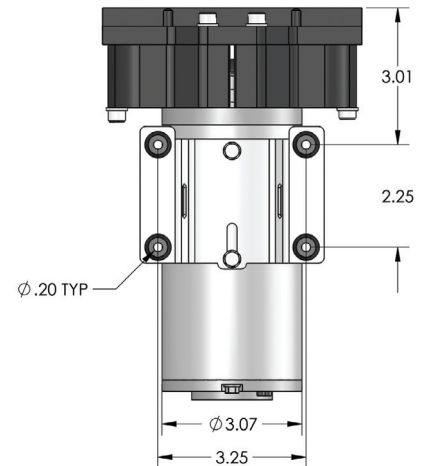
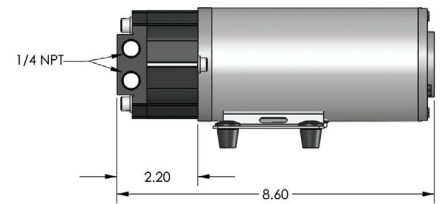
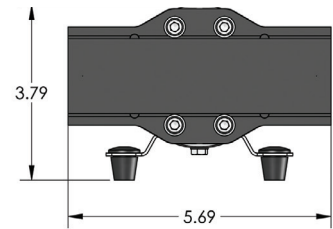
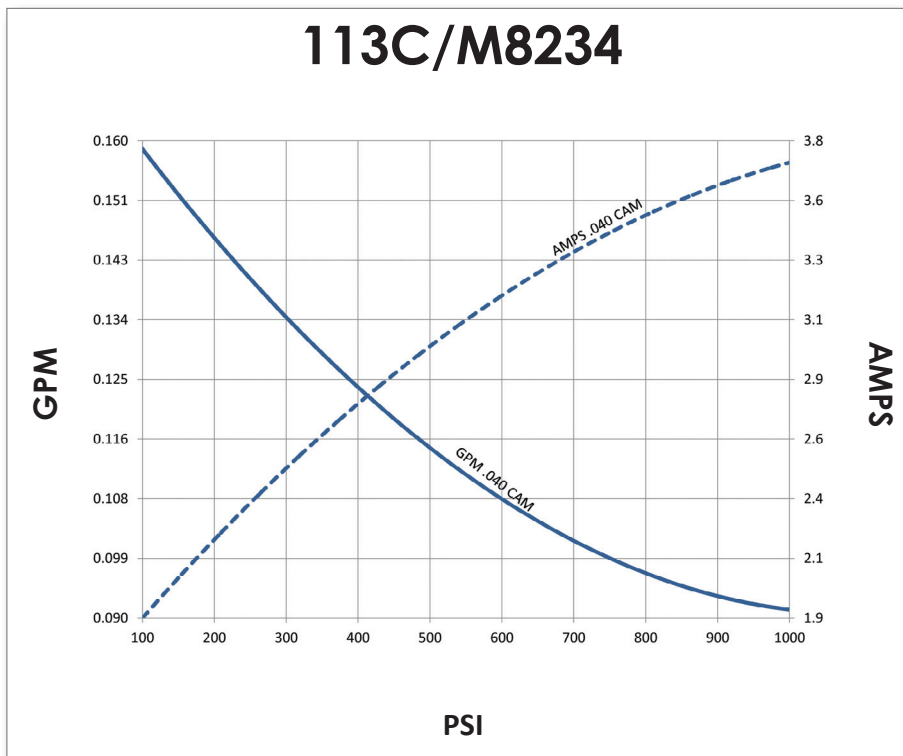
- Max Pressure (psi)** 1000
- Open Flow (gpm)** 0.20
- Seals** U-Cup
- O-Rings** Buna
- Inlet Ports (2)** - 1/4" NPT (F)
- Discharge Ports (2)** - 1/4" NPT (F)
- Max Fluid Temp (°F)** 140
- Voltage** 24VDC

MATERIALS

- Body** Hardcoat Aluminum
- Plunger** Ceramic
- Valves** Stainless Steel
- Fasteners** Stainless Steel

EXAMPLE

CAM	AMPS	PSI	GPM
.040	3.7	1000	.09



Data recorded pumping water at room temperature and 24VDC power.
Actual performance will vary with fluctuations and mfg tolerances.
Copyright PumpTec, Inc. 2014

* Standard cams shown, more cams available upon request