

100 SERIES PUMPS - 114T/M8215



SPECIFICATIONS

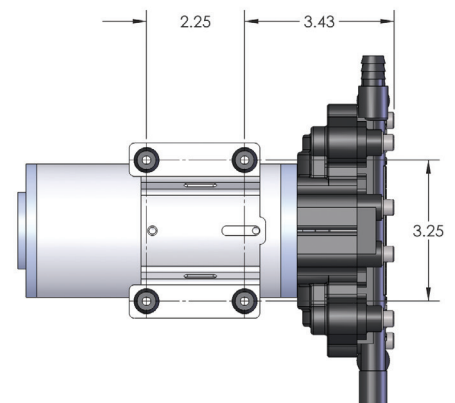
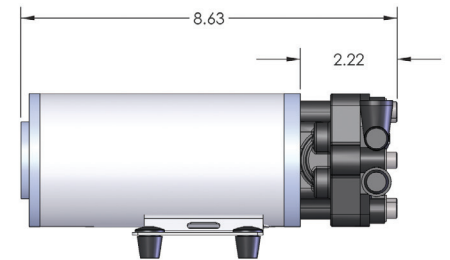
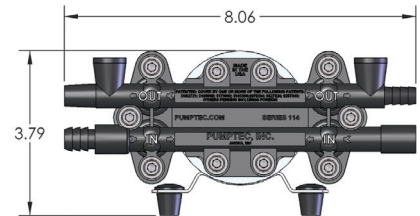
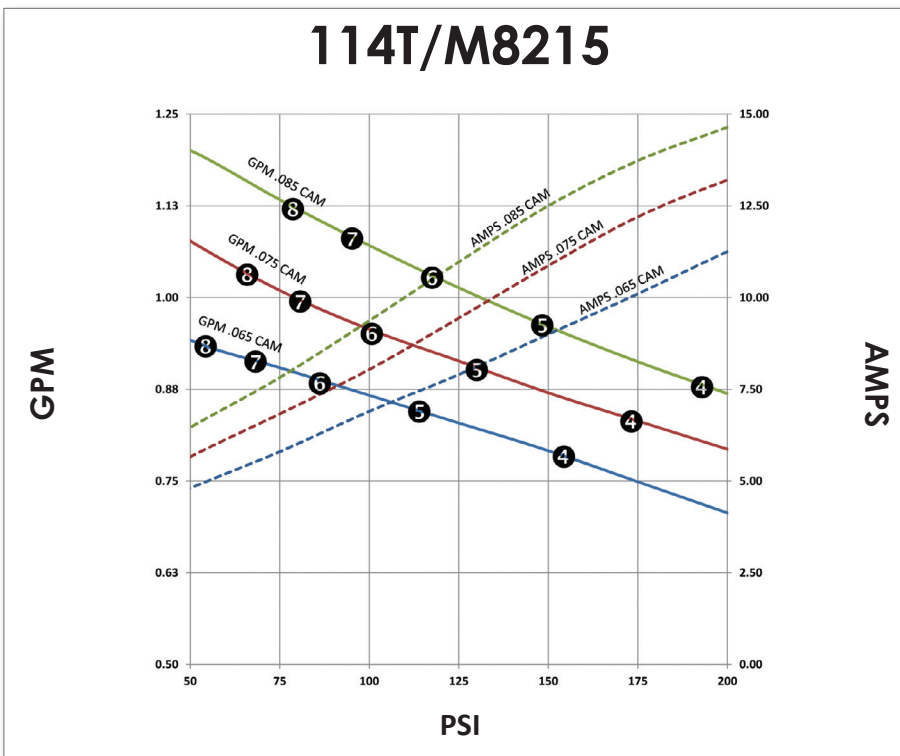
- Max Pressure (psi)** 200
- Open Flow (gpm)** 1.53
- Seals** T-Seal
- O-Rings** KFM
- Inlet Ports** (1) - 1/2" Hose Barb
(1) - 3/8" NPT (M)
- Discharge Ports** (2) - 1/4" NPT (M)
(1) - 1/4" NPT (M)
(1) - 3/8" Hose Barb
- Max Fluid Temp (°F)** 140
- Voltage** 12V DC

MATERIALS

- Body** Nylon
- Plunger** Stainless Steel
- Valves** Nylon
- Fasteners** Stainless Steel

EXAMPLE

CAM	AMPS	PSI	GPM
.075	13.2	200	.79



Data recorded pumping water at room temperature and 12V DC power.
Actual performance will vary with voltage, application, and mfg tolerances.
Copyright PumpTec, Inc. 2014

- Spraying Systems Co. nozzle sizes
- * Standard cams shown, more cams available upon request