

# 300 SERIES PUMPS - 356U/M64



## SPECIFICATIONS

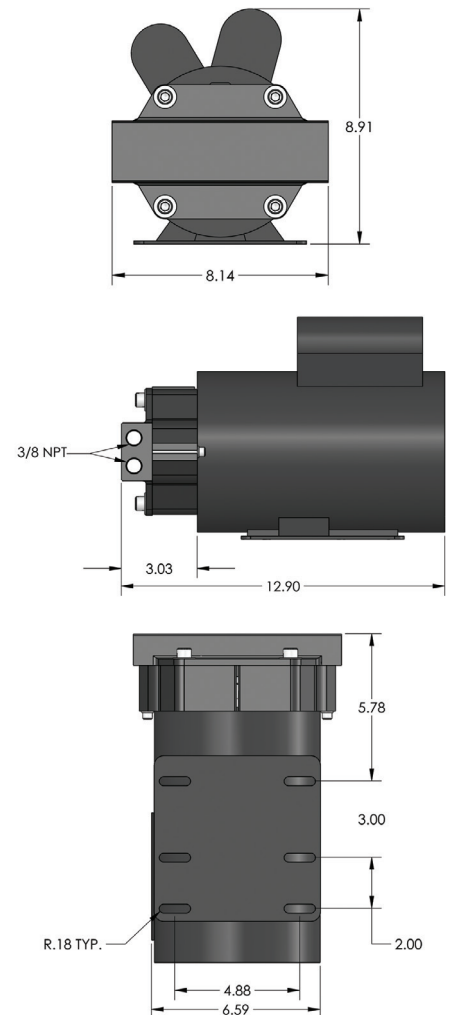
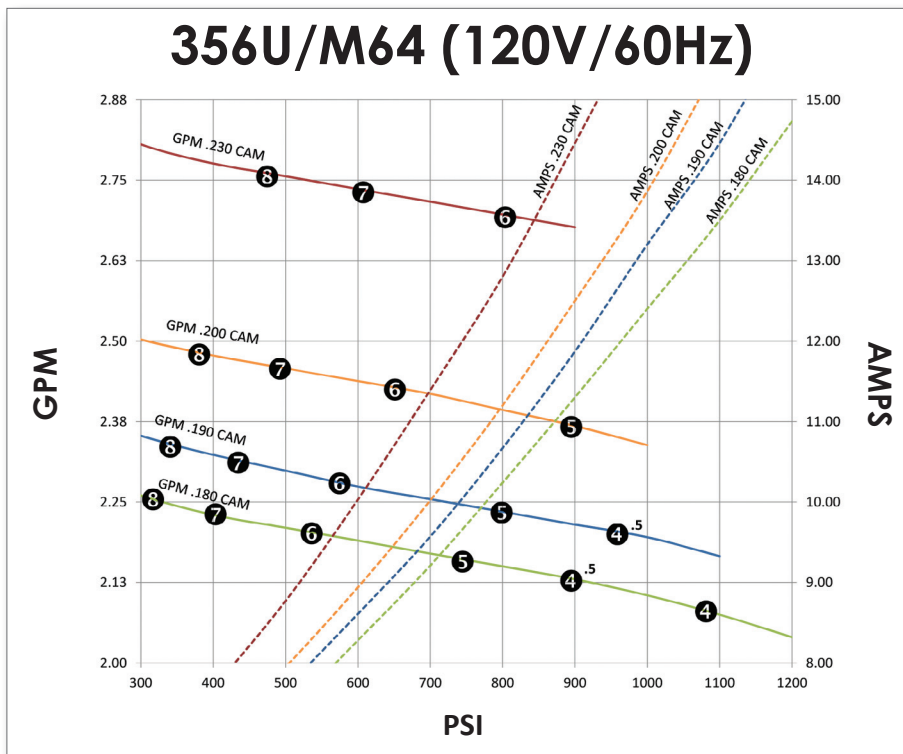
- Max Pressure (psi)** 1200
- Open Flow (gpm)** 3.17
- Seals** U-Cup
- O-Rings** FKM
- Inlet Ports (2)** - 3/8" NPT (F)
- Discharge Ports (2)** - 3/8" NPT (F)
- Max Fluid Temp (°F)** 140
- Voltage** Dual 120/230VAC 60/50Hz

## MATERIALS

- Body** Anodized Aluminum
- Plunger** Stainless Steel
- Valves** Stainless Steel
- Fasteners** Stainless Steel

## EXAMPLE

CAM	AMPS	PSI	GPM
.180	12.4	1000	2.11



Data recorded pumping water at room temperature and 120VAC AC power. Actual performance will vary with voltage, application, and mfg tolerances. Copyright PumpTec, Inc. 2014

230V CHART CAN BE FOUND @ WWW.PUMPTec.COM

- Spraying Systems Co. nozzle sizes
- \* Standard cams shown, more cams available upon request