

NPD
POWERED

BOSS ELIMINATOR

THE
BOSS



E-Series

E-128, E-320, E-512

PRO-Series

PRO-128, PRO-320, PRO-512

MANUAL

Observe all safety precautions at all time:

Warning and Danger Symbols are used to advise the operator



Read all chemical labels prior to use. Wear the appropriate safety equipment



Warnings

- Do not spray in heavy winds
- Keep children and pets away while spraying
- Mix chemicals in properly marked separate containers before pouring the premixed chemicals into the sprayer, whenever possible
- Avoid direct personal contact with chemicals
- Review manual before operating your Spray Applicator
- Do not modify the sprayer in any way, use only manufacturers repair parts and accessories
- Be sure all parts are in good working order before spraying. Check sprayer daily
- Do not eat, drink or smoke while operating your spray applicator
- Fill in well ventilated areas
- Be sure the sprayer is properly stored when transporting
- Do not use flammables, caustic or corrosive materials in the sprayer
- Adjust sprayer shoulder harness for proper fit before using

End of day

- Empty sprayer contents into properly marked containers, rinse sprayer using clean water.
- Keep sprayer clean at all times
- Wash thoroughly using soap and water, wash all clothing before reuse



Danger

- Do not spray any wires, cables or power areas. The sprayer is not grounded and a risk of shock could occur.

Boss PRO

INTERIOR - EXTERIOR
LIQUID & FOAM
SPRAYING SYSTEM
18 VOLT DC BATTERY OPERATED
120V FAST CHARGE SYSTEM

CONTENTS

- 1- Tank with 2 Speed Switch
- 1 - Detachable Trigger Gun Assembly
- 1 - Extension Wand Assembly
- 1 - 120 Volt AC Fast Charger
- 1 - 18 Volt DC Battery
- 1 - High Flow: 08 Pin/Cone
- 1 - Low Flow: 03 Pin/Cone, 8001 Fan Spray, 8002 Fan Spray
- 1 - Screen Check Valve



Boss Eliminator

INTERIOR - EXTERIOR
LIQUID MISTING & FOAM
SPRAYING SYSTEM
18 VOLT DC BATTERY OPERATED
120V FAST CHARGE SYSTEM

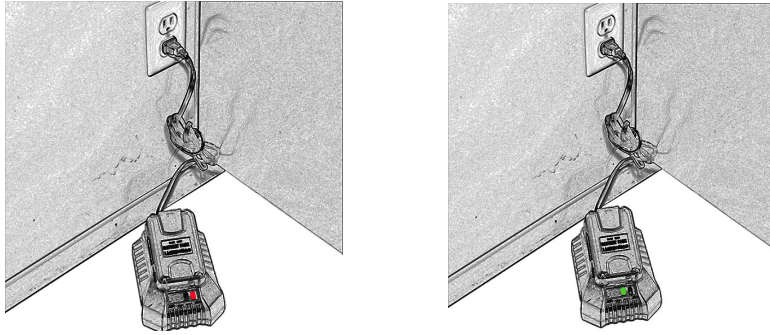
CONTENTS

- 1- Tank with 2 Speed Switch
- 1 - Heavy Duty Harness with Comfort Belt and Trigger Gun Holster Right/Left-Handed
- 1 - Detachable Trigger Gun Assembly
- 1 - Extension Wand Assembly
- 1 - 120 Volt AC Fast Charger
- 1 - 18 Volt DC Battery
- 1 - High Flow: 08 Pin/Cone
- 1 - Low Flow: 03 Pin/Cone, 8001 Fan Spray, 8002 Fan Spray
- 2 - Screen Check Valve
- 2 - High Density Misting Proximity Tips HDP-M1.5 and HDP-M18-30

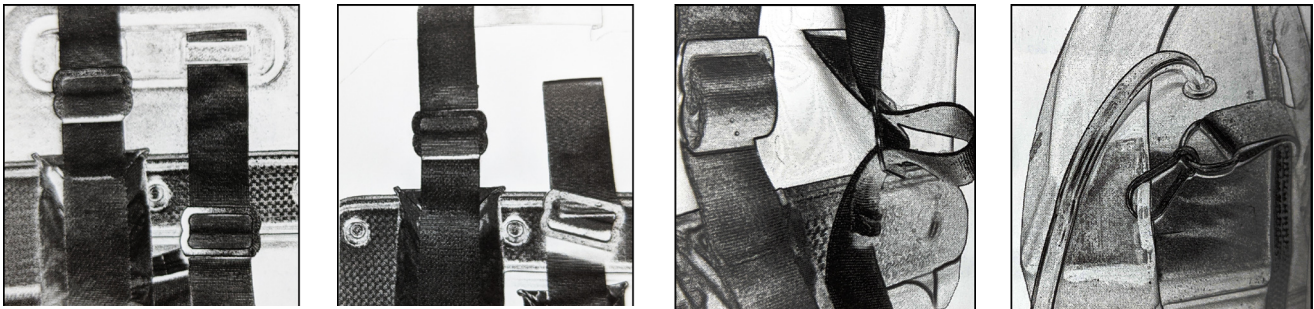


Assembly

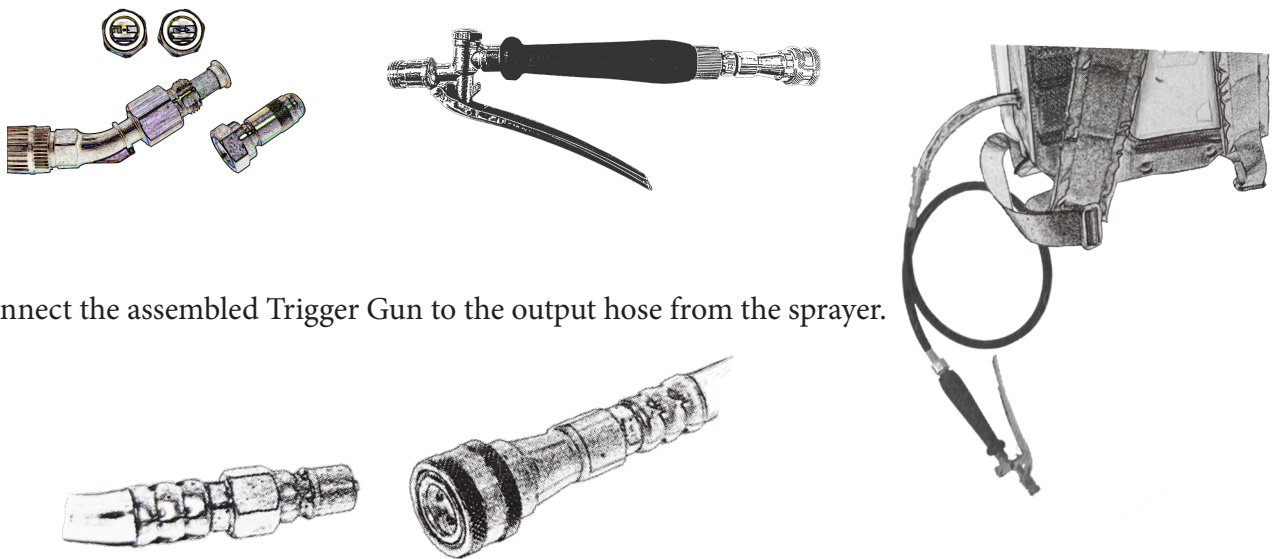
1. Plug charger into an AC receptacle, snap in battery. The battery will charge in approximately 1.5 hours. Wait until the green light on the charger turns on, showing the battery is completely charged.



2. Install and adjust the shoulder straps for a comfortable fit. (Some models will not have straps)



3. Select your spraying tip, insert screen filter and thread onto the 11/16 brass adaptor. Tips should be hand tightened only to provide a seal. Internal tip O Rings provide a “No Wrenches Required” seal. You can also connect directly to the Trigger Gun



4. Connect the assembled Trigger Gun to the output hose from the sprayer.



Start Up Instructions

1. Charge the battery before using.
2. Test your NPD Powered Equipment in a non-contaminated water only environment for the first time. Install each tip and use. This provides a visual of the output performance of your NPD Powered Equipment and each tip.
3. Test Speed I = Low Flow and Speed II = High Flow speed settings.
4. Other tips and accessories are available, visit our web site at:
www.npdproducts.com



PLEASE DO NOT RETURN TO YOUR DISTRIBUTOR

NPD Products Ltd. thanks you for your purchase and can assist you with any questions that you may have. Please contact us at: <https://www.npdproducts.com/us/npd-contact-us>
Our customer service is ready to help you with assembly, parts and or warranty questions.

sales@npdproducts.com

877-734-0932
NPD Powered
2325 Old Second South
Midhurst, ON L9X 1P3

COMPONENT OVER VIEW

SPECIFICATIONS

- Construction Materials; Polyethylene, Polypropylene
- Hose PVC
- 18 Volt DC Lithium Ion Battery
- Quick Release dripless brass connectors
- Light Weight
- Slim line design, stays close to the body
- Expandable output Hose; up to 100 feet
- Battery continuous use: 2 hours
- Battery recharge 90 minutes
- Battery can recharge from truck using a 300 Watt inverter
- Two Speed Motor
- Removable Telescopic Wand
- Detachable Trigger Gun Assembly

PRO-128, E-128

Shipping Description:

Weight: 10.5 Lbs.

Box: 13.5 x 8 x 22h Inches

1 sprayer per case

PRO-320, E-320

Shipping Description:

Weight: 10.5 Lbs.

Box: 13.5 x 8 x 22h Inches

1 sprayer per case

PRO-512, E-512

Shipping Description:

Weight: 11 Lbs.

Box: 14 x 9 x 23h Inches

1 sprayer per case

ACCESSORIES PURCHASED SEPARATELY



PDS-300

Mobile Cart for PRO or Eliminator Models
Interior & Exterior Backpack System



PDS-654

Cover X - High Volume Foam Fan Spray Tip



PDS-36

18 Volt DC Rechargeable Battery



EXTENSION HOSES

NEH-12 12 Foot Liquid Extension Hose 1/4 c/w brass fittings

NEH-25 25 Foot Liquid Extension Hose 1/4 c/w brass fittings

NEH-50 50 Foot Liquid Extension Hose 1/4 c/w brass fittings



SH-59102-6

SH-59102-12

2.5 Gallon

9 Liter

Storage Jug



PDS-43

120 Volt Quick Charger



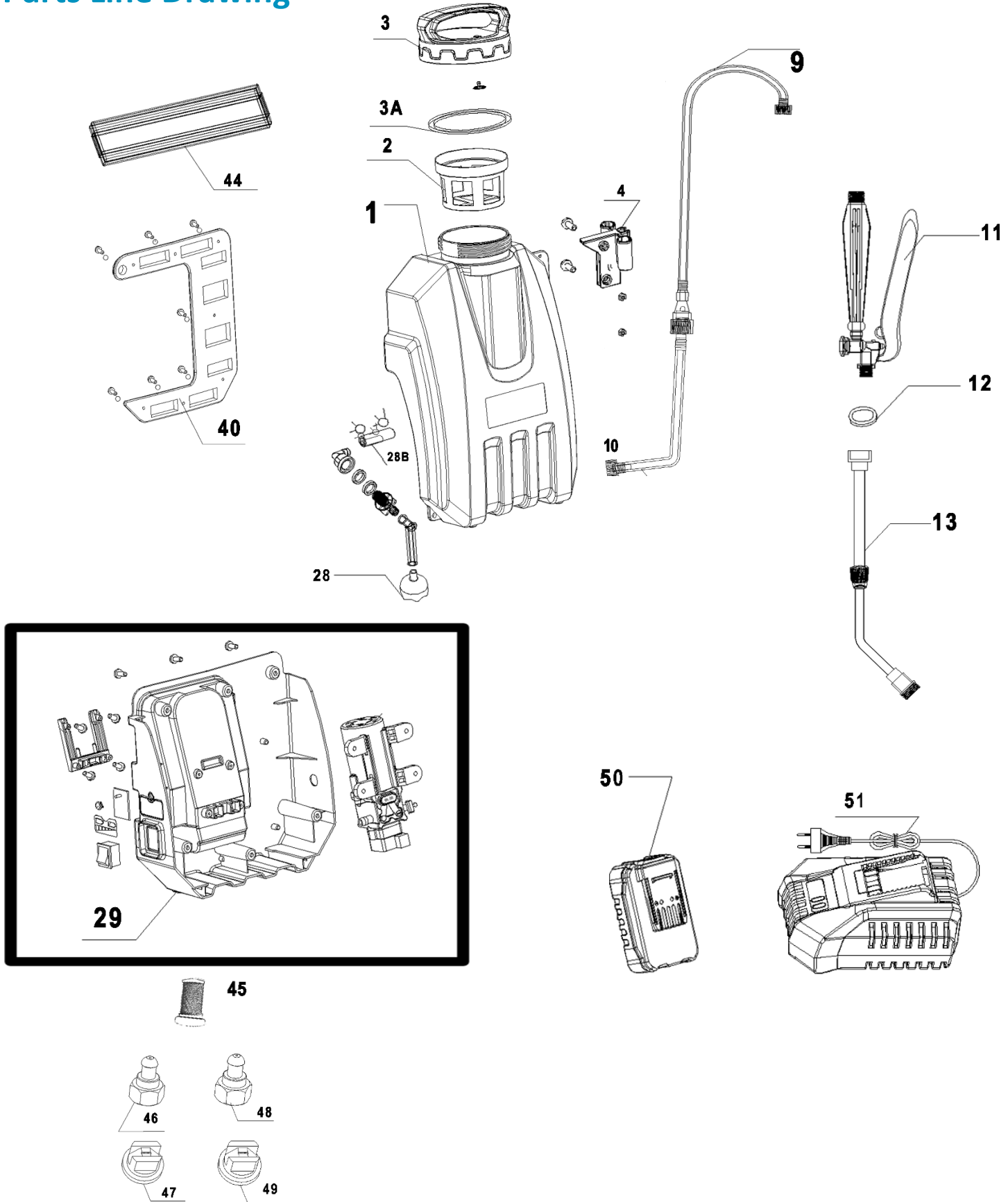
HDP TIPS

High Density Proximity Tips W/ 120 Micro Screen Filter and Check Valve

HDP-M1.5

HDP-M18-30

Parts Line Drawing



Replacement Parts Call 877-734-0932

Number	SKU	Description
1	PDS-1-1G	Tank 1 Gallon c/w Filtration Assembly
1	PDS-1-2.5G	Tank 2.5G 10 Liter c/w Filtration Assembly
1	PDS-1-4G	Tank 4G 15 Liter c/w Filtration Assembly
2	PDS-2	Screen Filter
3-1	PDS-543BLACK	Tank Lid Black Boss Series 1G, 2.5G, 4G
3-2	PDS-543BLUE	Tank Lid Blue Boss Series 1G, 2.5G, 4G
3-3	PDS-543RED	Tank Lid Red Boss Series 1G, 2.5G, 4G
3A	PDS-543-A	Tank Lid Seal
4	PDS-678	Wand Mounting Bracket
9	PDS-125-11-QD	Hose Connection to Pump + Hose Assembly for QD Gun
10	PDS-2-203V	O-Ring Viton for Trigger Gun Hose - Brown
11	PDS-6111-QD	Trigger Gun 11/16 Output Threads Plus Quick Disconnect Input
12	PDS-2-112N900	O Ring Output - Spray Tip Nut (6 per pack)
13	PDS-018	10"-18" Extension Wand (For Pro-128)
13	PDS-046	20"-39" Extension Wand (For Pro-320, Pro-512, E-128, E-320 & E-512)
28	PDS-24-28	Siphon Tube, Screen Filter and Connection Tube
28B	PDS-20-23	Hose - Pump to Filter connection c/w Brass Clamps
29-1	PDS-2939-183330BLACK	Operating System: Repair Kit Complete, Pump, Circuit Board, Switch and Battery Case - BLACK CASE
29-2	E-2939-183330BLUE	Eliminator- Operating System Repair Complete - Pump, Circuit Board, Switch and BLUE Battery Case
29-3	PDS-2939-183330RED	Operating System Red: Repair Kit Complete, Pump, Circuit Board, Switch and Battery Case - RED CASE
40	PDS-404142	Cushion – Back Padding and Screws
44	PDS-44	Harness with Belt and Trigger Gun Holster
45	PDS-0094	Screen and Check Valve
46	PDS-08	High Flow Pin and Cone Tip Brass
47	T-8002	High Flow Fan Spray Tip Brass
48	PDS-03	Low Flow Pin and Cone Tip Brass
49	T-8001	Low Flow Fan Spray Tip Brass
50	PDS-36	18 Volt DC Rechargeable Battery
51	PDS-43	120 Volt Quick Charger

Replacement Parts Call 877-734-0932

		ACCESSORIES
	PDS-654X	Cover X Foam Tip
	PDS-250	Vehicle Inverter
	PDS-065	28" to 54" Extension Wand
	PDS-300	Mobile Cart
	NEH-12/25/50	12"/25"/50" Extension Hoses
	SH-59102-6	Measurement/Storage Jug (6 per Case)
	SH-59102-12	Measurement/Storage Jug (12 per Case)
	PDS-39PB3	Awl Misting Tip
	PDS-6111-13	Trigger Gun Repair Kit
	SKU-2-112EWS	Wand Seal Replacement Kit
	PDS-6111-QDA	Quick Disconnect Assembly for Trigger Gun, c/w seal

		ACCESSORIES - HDP Tips
	HDP-M1.5	HDP-M1.5 High Density Proximity Tip
	HDP-M18-30	HDP-M18-30 High Density Proximity Tip

Maintenance

Daily

Check your sprayer for any leaks, complete repairs immediately before spraying.

Clean your system at the end of everyday, use properly labeled containers to empty the sprayer chemicals into prior to cleaning. Inspect sprayer tank lid seals and lubricate as required.

Your sprayer has 3 screen filters to maintain:

1- Screen Filter under Tank Lid. Pour your chemicals through this filter. Any unmixed chemical particles will be captured here and not allowed to enter into the pump causing blockages.

2 - On the inside and at the bottom of the tank, is the pump siphon tube. This tube can be rotated up to inspect the screen filter for debris. Any debris located here can cause the pump to lose prime and cavitate.

3 - The sprayer also comes with an inline screen and check valve filter. This filter is installed in the output nozzle of the Trigger Gun or at the end of the telescopic wand. Clean filter as required

Store battery inside a clean and dry environment, charge battery as required. At the end of your days work and overnight is traditionally the most convenient. This provides a full charge before starting your next days work. Disconnect trigger gun and wand assembly throughout the day as required. Disconnecting the trigger gun and wand allows for easy storage of the tank and trigger gun assembly.

Monthly

Use WD-40 lubricant and spray the brass quick disconnect fittings. This will keep them functioning smoothly. Remove the telescopic wand and spray into the trigger gun adaptor nozzle while holding the trigger in the open position. This allows lubricate to flow back into the trigger valve.

Remove the trigger gun nut by turning counter clockwise, once removed spray WD40 into the spring area. Thread nut back onto trigger gun. Open and close the trigger several times, you will feel a difference in how the trigger moves more freely.

Trouble Shooting

De-pressurize and empty the sprayer before completing any repairs. Failure to complete this can cause unexpected chemical escape and a hazardous condition.

Condition	Cause	Remedy
Charge light indicator has no light. Green or Red	Faulty circuit board	Replace circuit board
Pump will not run, good indicator light, showing green	Brass Quick Disconnects	Brass disconnectors are not completely snapped together. Pull back coupler collar, push together firmly release collar
No lights working, will not run	Faulty or uncharged battery	Be sure battery snaps into the locking position when installed. Charge battery,
Pump runs but will not pump chemical	Check siphon tube pump supply	Remove chemical Rotate siphon tube screen filter and check for debris. Fill sprayer with water only when testing for correct operation
Pump cavitates	Check for debris and clogging	Remove all chemical, inspect siphon filter, ensure there are no leaks.
Trigger gun will not shut off	Inspect trigger gun spring assembly	Flush with WD40, Replace O ring seals in trigger assembly
Telescopic wand is leaking	Dry or Damaged seals	Spray all fittings and O rings using WD40, move shafts back and forward to lubricate; tighten fittings. Replace O rings when necessary

PERSONAL SAFETY, OPERATION AND LIMITED WARRANTY INFORMATION

Personal safety

1. Use eye, face, breathing and ear protection as required. Always wear ANSI approved impact safety goggles, which must provide both frontal and side protection. Protect your hands with suitable gloves. Wear an ANSI approved dust mask or respirator. Wear ANSI approved earplugs.
2. Do not over reach; keep proper footing and balance at all times. Proper footing and balance enables better control of the applicator in unexpected situations. Applicator must remain upright during all operations.
3. Dress properly, wear protective equipment. Do not wear loose clothing or jewelry as they can be caught in moving parts. Tie back long hair. Protective, electrically non-conductive clothes and non-skid footwear are recommended when working.
4. Stay alert, watch what you are doing and use your common sense. Do not operate any machine or tool when you are tired, under the influence of drugs, alcohol or medications.
5. Use clamps or other practical ways to secure and support the equipment when in use when required. Avoid SERIOUS INJURY or PROPERTY DAMAGE from discharge of spray material.
6. Do not allow spray to strike you and do not spray toward people or animals. Do not spray the tool itself on any electrical source.

Other Operation Details

1. Get familiar with your equipment applicator first by operating in a non contaminated environment; water only, this allows for basic understanding of operation and use of the various spray tips. Check for any leaks or malfunctioning parts in a water only environment.
2. Read and understand all chemical manufacturers label instructions before filling or using this equipment. Follow their regulations, some chemicals are restricted.
3. DO NOT USE ANY FLAMMABLES OR BOILING LIQUIDS IN THIS SPRAYER as it is not designed nor intended for such use.
4. INSPECT both inside and outside of the sprayer as a daily routine, clean as required to ensure all devices are functioning correctly.
5. Observe the Max Fill line located on Tank. DO NOT FILL PAST THIS LINE.
6. Store your applicator depressurized and in a safe place. Keep out of reach from children and pets.
7. Call our service department at 877-734-0932 for further details. Other accessories and parts are available for various spraying methods.

Limited Warranty

1. DURATION: From the date of purchase by the original purchaser as follows: Manufacturer defects 3 months, no warranty on battery or seals.
2. WHO GIVES THIS WARRANTY (WARRANTOR): NPD (NPD Products Ltd.) 2325 Old Second South Midhurst, Ontario, Canada L9X 1P3 877-734-0932
3. WHO RECEIVES THIS WARRANTY (PURCHASER): The original purchaser (other than for purposes of resale) of the NPD product.
4. WHAT PRODUCTS ARE COVERED BY THIS WARRANTY: Any NPD product, accessory supplied or manufactured by Warrantor.
5. WHAT IS COVERED UNDER THIS WARRANTY: Substantial defects in material and workmanship which occur within the duration of the warranty period. Battery and seals excluded.
6. WHAT IS NOT COVERED UNDER THIS WARRANTY:
 - A. Implied warranties, including those of merchantability and FITNESS FOR A PARTICULAR PURPOSE ARE LIMITED FROM THE DATE OF ORIGINAL PURCHASE AS STATED IN THE DURATION. Some States do not allow limitation on how long the implied warranty lasts, so the above limitation or exclusion may not apply to you.
 - B. ANY INCIDENTAL, INDIRECT, OR CONSEQUENTIAL LOSS, DAMAGE, OR EXPENSE THAT MAY RESULT FROM ANY DEFECT, FAILURE, OR MALFUNCTION OF THE NPD PRODUCT. Some States do not allow exclusion or limitation of incidental or consequential damages, so the above limitation or exclusion may not apply to you.
 - C. Any failure that results from an accident, purchaser's abuse, neglect or failure to operate products in accordance with instructions provided in the owner's manual(s) supplied with product. Accident, purchaser's abuse, neglect or failure to operate products in accordance with instructions shall also include the removal or alteration of any devices, if such safety devices are removed or altered, this warranty is VOID.
 - D. Normal adjustments which are explained in the owner's manual(s) provided with this product.

RESPONSIBILITIES OF WARRANTOR UNDER THIS WARRANTY:

Repair or replace at Warrantor's option, products or components which are defective, have malfunctioned and/or failed to conform within duration of the warranty period.

7. RESPONSIBILITIES OF PURCHASER UNDER THIS WARRANTY:
 - A. Provide dated proof of purchase and maintenance records.
 - B. Deliver or ship the NPD products to the address above. Freight costs, if any, must be borne by the purchaser.
 - C. Use reasonable care in the operation and maintenance of the products as described in the owner's manual(s)
8. WHEN WARRANTOR WILL PERFORM REPAIR OR REPLACEMENT UNDER THIS WARRANTY:
 - A. Repair or replacement will be scheduled and services according to the normal work flow at the servicing location, and depending on the availability of replacement parts. This Limited Warranty is applied only and gives you specific legal rights. You may also have other rights which vary from state to state or country to country.

IMPORTANT SAFETY PRECAUTIONS

WARNING! Read and understand all chemical manufacturers label instructions before using this equipment. Failure to follow all instructions may result in electric shock, fire and /or personal injury. Keep this information for the safety warnings and precautions, operating, inspection and maintenance instructions. When using this equipment, basic precautions should always be followed to reduce the risk of personal injury and/or damage to the equipment. Note that when this manual refers to a part number, it refers to the parts list included.

A background image showing a close-up of water splashing, with many bubbles and droplets in motion, creating a dynamic and fresh visual.

NPD

when we know better
we do better